



# Tulsa Valve

*We Control The Flow*



## Threaded Swing Check Valves

ISO 9001:2000 Certified  
Certificate No. C2007-01814





### Carbon Steel - Ductile Iron

Swing Check Valve manufactured in compliance with:  
ASME B3.1 Pipe Threads  
Limited Compliance to:  
ASME B&PVC Sections 2 and 8  
Design and Material Requirements

#### Flow Coefficients

Size	CV
1"	60
2"	240
3"	665
4"	1300

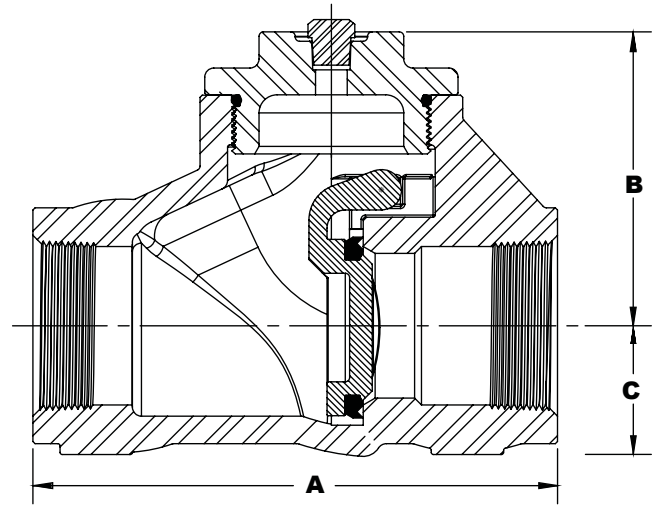
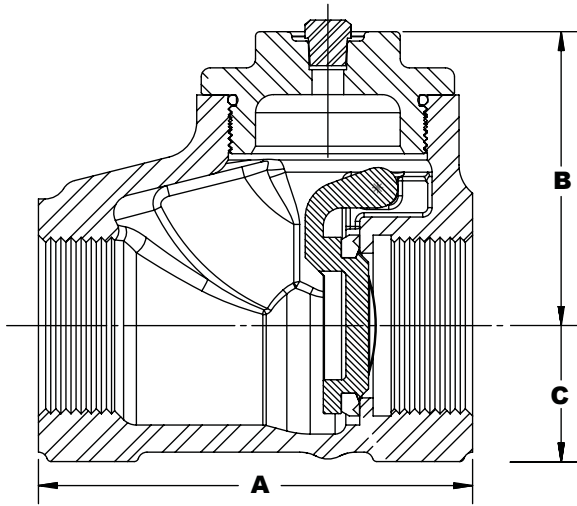
**Threaded Swing Check Valves** are available in ductile iron or carbon steel and provide the oil patch with a dependable, trouble free, quality check valve. All of our Threaded Swing Check valves conform to NACE MR0175 requirements to meet your corrosive service needs. Down-time and maintenance are reduced.

Our clapper and seat design are beveled and self-aligned to ensure zero leakage. The molded clapper seal design insures a seal at 1 (one) psi differential. All valves are full opening through conduit design to ensure a very low pressure drop. They are in-line, in-field repairable. Our Check Valves are of the highest quality available at very competitive prices.

Threaded Swing Check Valves come in 1/2 " thru 4" sizes. All of our Threaded Swing Check valves conform to NACE MR0175 requirements. Our Threaded Swing Check Valves are full opening to ensure a very low pressure drop. Tulsa Valve performs 100% pressure testing on all of our Threaded Swing Check Valves.

#### Features Include:

- Ductile Iron and Carbon Steel Swing Check Valves
- 1/2" to 4" Size Range
- Ductile Iron: 300 to 2000 WOG Pressure Range
- Carbon Steel: 720 to 3600 WOG Pressure Range
- Large Ports
- NPT Threaded Ends



## Material Specifications

	Part	Ductile Iron	Carbon Steel
1	Body	ASTM A395 Ductile Iron	ASTM A216 WCB Carbon Steel
2	Clapper	CF8M Stainless Steel	
3	Clapper Seal	Peroxide Cured Buna-N (Viton Optional)	Peroxide Cured Buna-N (Viton Optional)
4	Cover Seal O-ring	Peroxide Cured Buna-N (Viton Optional)	Peroxide Cured Buna-N (Viton Optional)
5	Cover	ASTM A395 Ductile Iron	ASTM A216 WCB Carbon Steel
6	1/4 Pipe Plug	Carbon Steel (2" Valve Only)	Carbon Steel (2" Valve Only)

Notes: Buna-N Rated to 200 Deg F max. Viton Rated to 400 Deg F Max.

\*All materials subject to restrictions outlined in NACE MR0175.

# Threaded Swing Check Valves



Dimensions / Specifications										
Material	Model #	Size	End	Working Press	Weight (lbs)	Dimensions (in)				
						A	B	C		
Ductile Iron	TV11033	1"	FNPT	1000	5	4-1/4	3	1-1/4		
	TV11533	1"	FNPT	1500	5					
	TV12033	1"	FNPT	2000	5					
	TV20313	2"	FNPT	300	10	6	3-7/8	1-3/4		
	TV20313L	2"	FNPT	300	12	7-1/4				
	TV20313G	2"	GROOVED	300	10	7				
	TV20613	2"	FNPT	600	10	6				
	TV20613L	2"	FNPT	600	12	7-1/4				
	TV20613G	2"	GROOVED	600	10	7				
	TV20753	2"	FNPT	750	10	6				
	TV21033	2"	FNPT	1000	11	6				
	TV21033L	2"	FNPT	1000	13	7-1/4				
	TV21533	2"	FNPT	1500	11	6				
	TV21533L	2"	FNPT	1500	13	7-1/4				
	TV22033	2"	FNPT	2000	11	6				
	TV22033L	2"	FNPT	2000	13	7-1/4				
	TV30313	3"	FNPT	300	17	8	5-1/2	2-3/8		
	TV30313G	3"	GROOVED	300	16	8-7/8				
	TV30613	3"	FNPT	600	17	8				
	TV30613G	3"	GROOVED	600	16	8-7/8				
	TV31033	3"	FNPT	1000	18	8				
	TV31533	3"	FNPT	1500	18	8				
	TV32033	3"	FNPT	2000	18	8	6-3/8	3		
	TV40313	4"	FNPT	300	35	10				
TV40313G	4"	GROOVED	300	35	10-7/8					
TV40613	4"	FNPT	600	35	10					
TV41033	4"	FNPT	1000	35	10	8-3/4	5-1/4	2.42		
TV11753S	1"	FNPT	720	5	4-1/4				3	1-1/4
TV11533S	1"	FNPT	1440	5						
TV12033S	1"	FNPT	2160	5						
TV13033S	1"	FNPT	3000	5						
TV13633S	1"	FNPT	3600	5						
TV20753S	2"	FNPT	720	13	7-1/4		3-7/8	1-3/4		
TV21533S	2"	FNPT	1440	13						
TV22033S	2"	FNPT	2160	13						
TV23033S	2"	FNPT	3000	14						
TV23633S	2"	FNPT	3600	15	8-3/4		5-1/4	2.42		
TV31753S	3"	FNPT	720	34						
TV31533S	3"	FNPT	1440	34						
TV32033S	3"	FNPT	2160	34						
TV33033S	3"	FNPT	3000	35						
TV33633S	3"	FNPT	3600	36						



Tulsa Valve is an oil field and industrial valve manufacturer. Tulsa Valve Products are made of the highest quality materials and workmanship. We test every valve to the appropriate standards and maintain material and product traceability on all valves. Our valves are designed to meet the customers best expectations and we pride ourselves on our ability to meet these expectations.

**Products we manufacture:** Ball Check Valves, Threaded Swing Check Valves, Shut-off Pig Valves, By-pass Pig Valves, Casing Ball Valves, and Flanged Check Valves.

*Tulsa Valve is a member of Array Holdings, a group of affiliated companies proudly serving the domestic and international energy industry.*

## Terms and Conditions

**Warranty:** Tulsa Valve products are guaranteed against defects of material workmanship for One (1) Year from date of invoice provided such products are used normally and within the service and pressure range for which they were manufactured. This guarantee is limited to the repair, replacement or repayment of purchase price. Under no conditions will Tulsa Valve be liable for claim of labor for removal, repair or replacement of Tulsa Valve products, or any other consequential damage.

**Cancellation:** Firm orders which have been accepted and entered are not cancellable except by written authorization from Tulsa Valve, unused material may be returned upon written consent from Tulsa Valve and credit will be issued only on material returned within one year from date of purchase. Tulsa Valve reserves the right to deduct reconditioning and handling charges when issuing credit for returned material. Credit may be used only for the purchase of merchandise and is not subject to cash reimbursement or cash payments.